

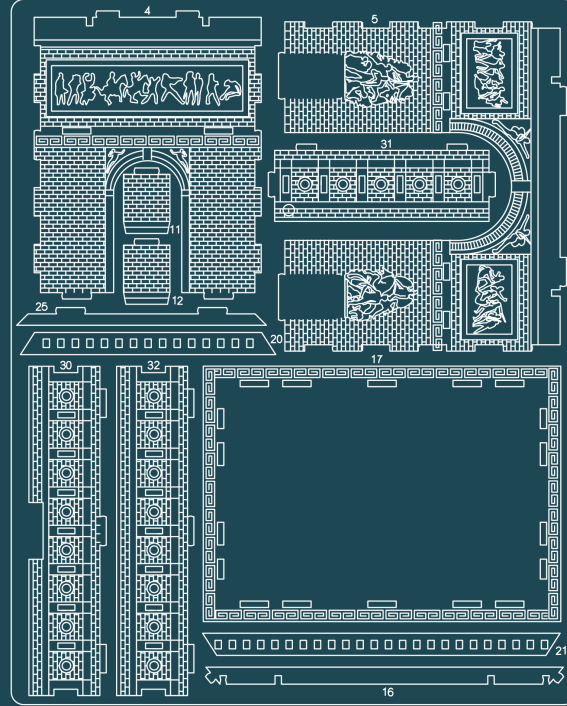
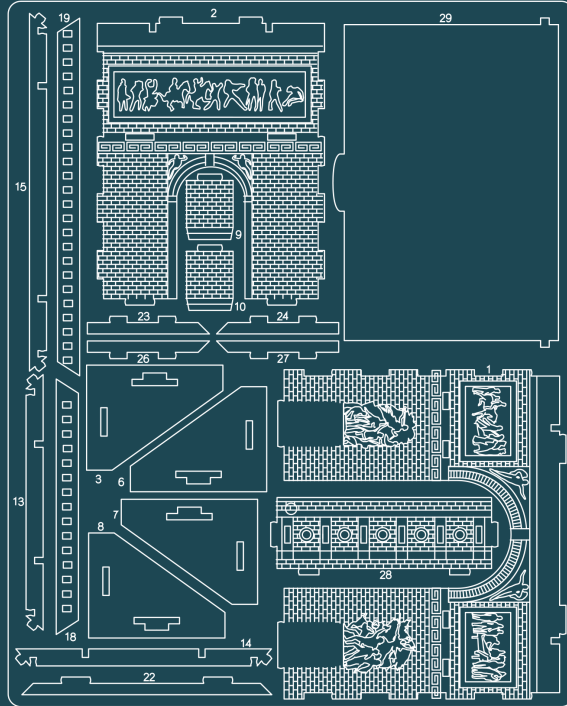
PARIS ARC DE TRIOMPHE BUILDING INSTRUCTIONS



READ BEFORE ASSEMBLING:

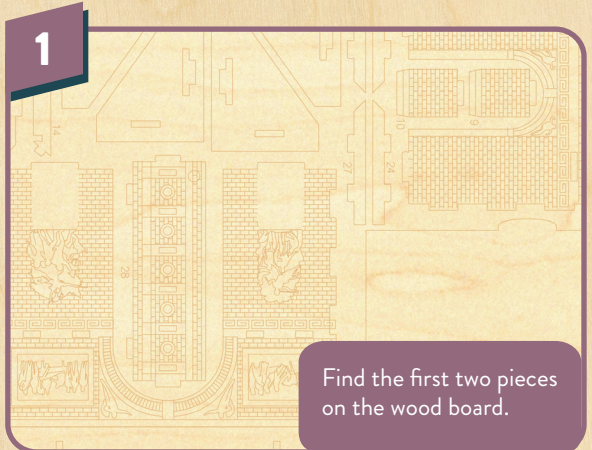
- Go through the instructions one step at a time.
- Don't punch out all of the pre-cut parts at once.
- Plywood thickness and color may vary.
- While not necessary, glue may be applied if desired.
- If you have trouble punching out the small pieces from the board, use tweezers or a toothpick to help.
- Adult supervision recommended.

! WARNING: CHOKING HAZARD - CONTAINS SMALL PARTS. NOT FOR CHILDREN UNDER 3 YRS.

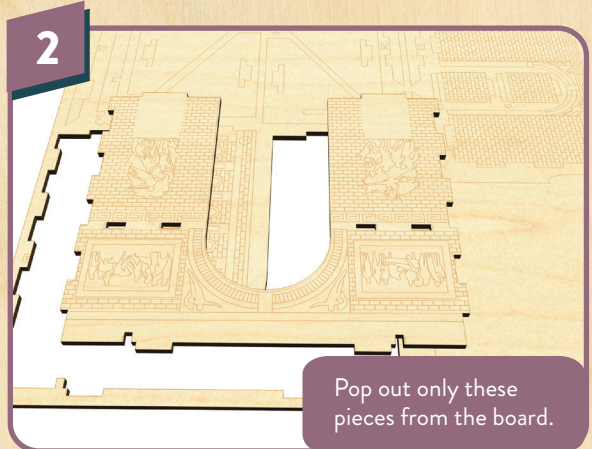


IncrediBuilds™ Copyright © Insight Editions, LP, 2016

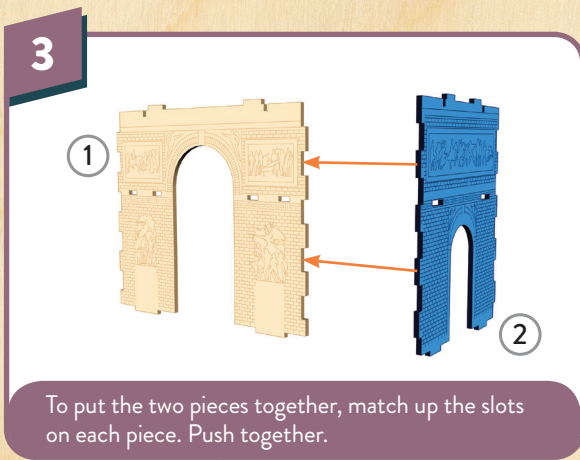
Manufactured in Shaoguan, China 68122016



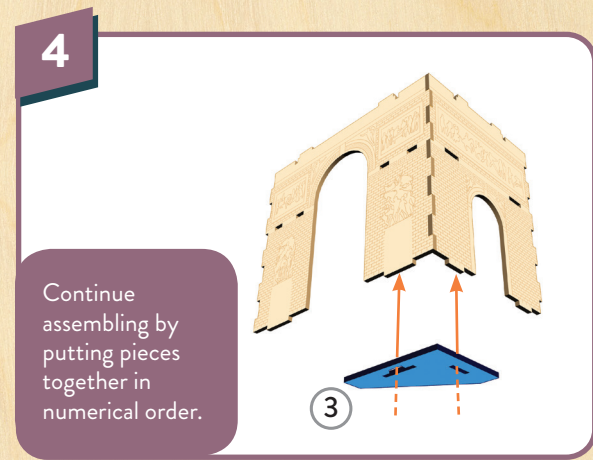
Find the first two pieces on the wood board.



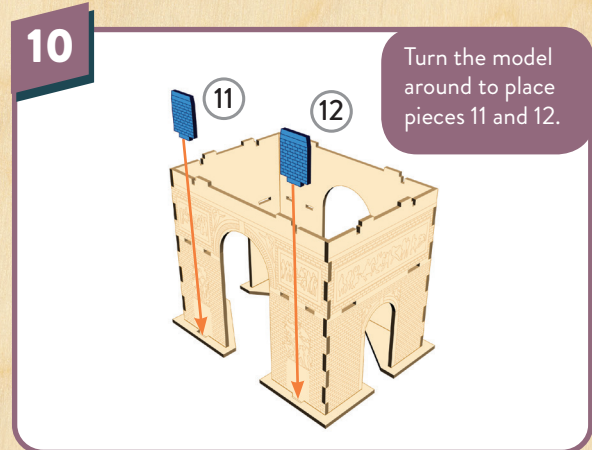
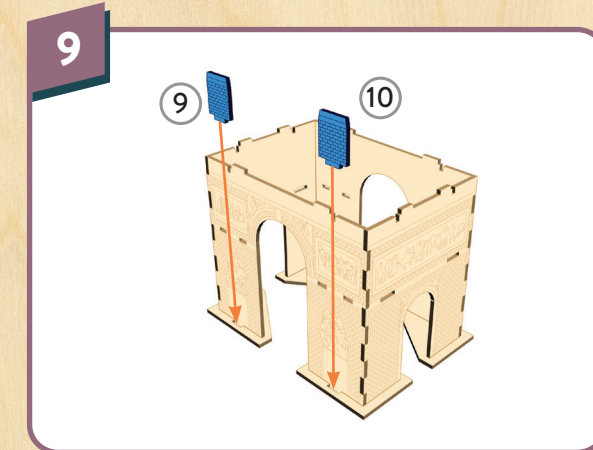
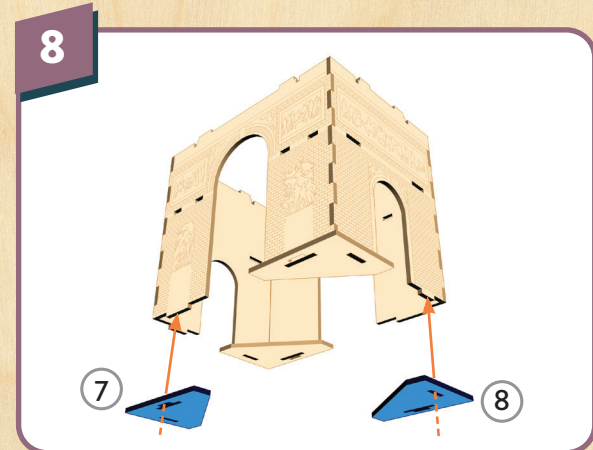
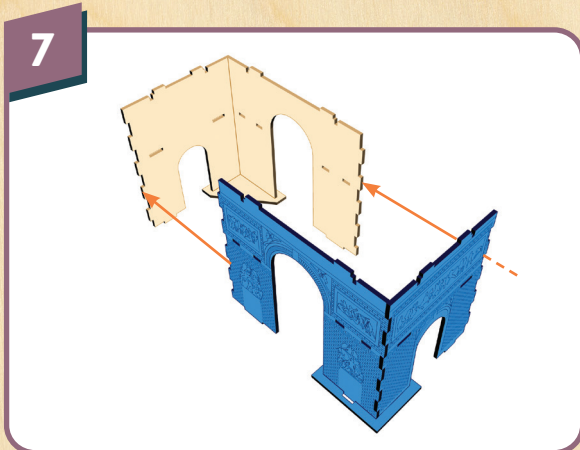
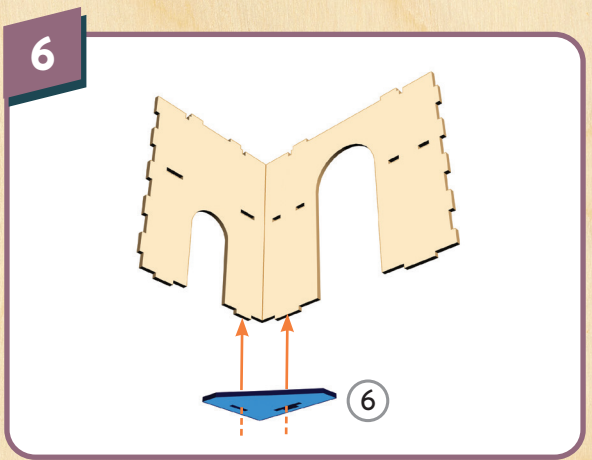
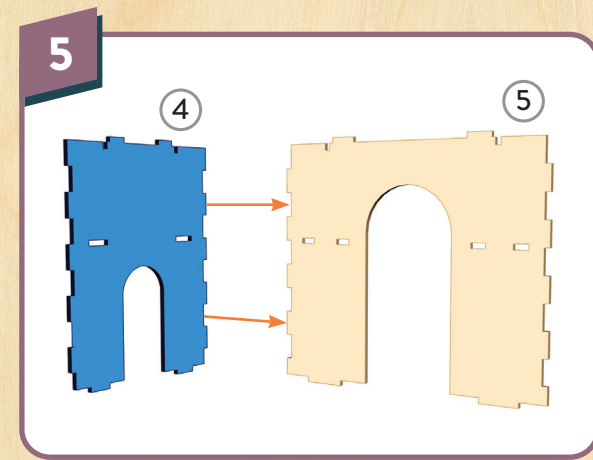
Pop out only these pieces from the board.



To put the two pieces together, match up the slots on each piece. Push together.



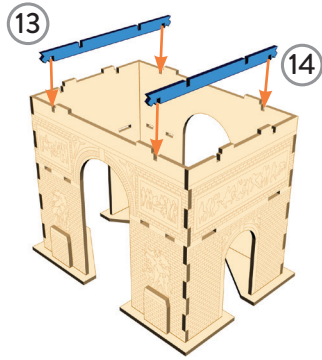
Continue assembling by putting pieces together in numerical order.



Turn the model around to place pieces 11 and 12.

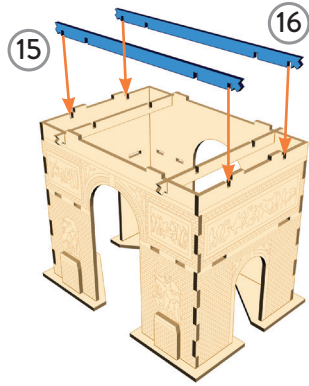
11

Line up the notches on each end of pieces 13 and 14, and push in carefully. Do not push down on the middle of the pieces.



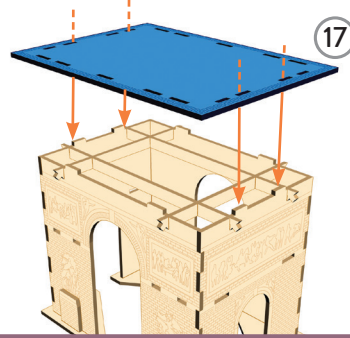
12

Line up the notches on each end of pieces 15 and 16, and push in carefully. Do not push down on the middle of the pieces.

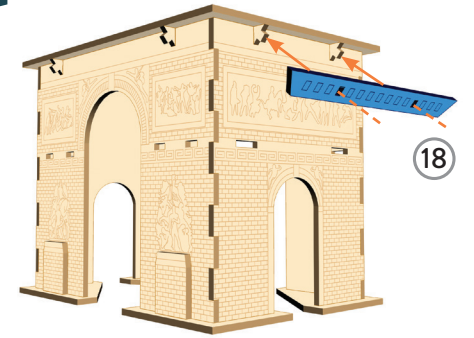


13

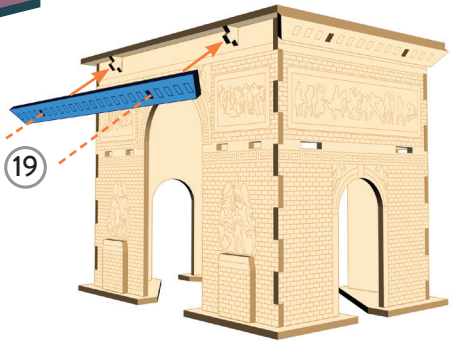
Line up all the slots with the notches and push down.



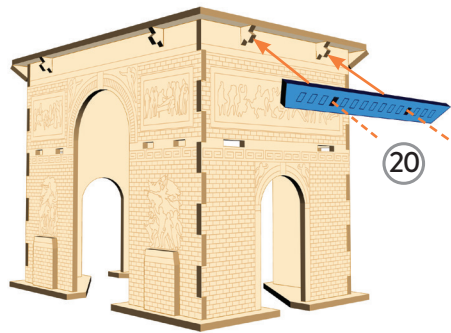
14



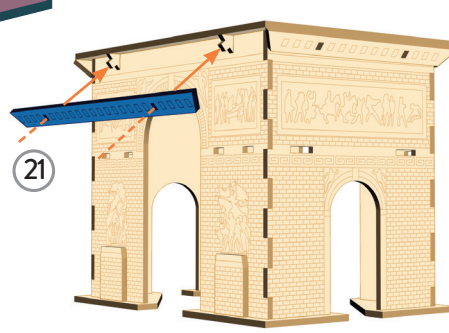
15



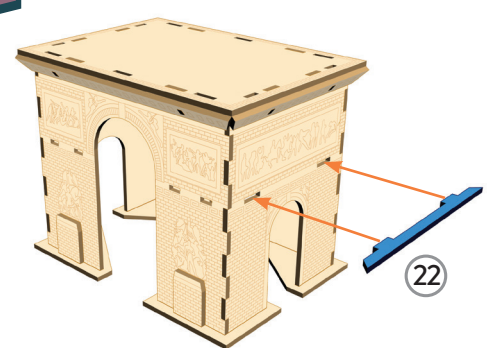
16



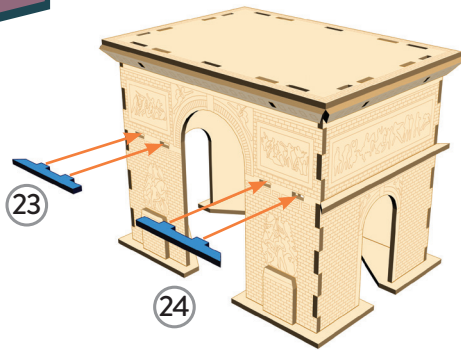
17



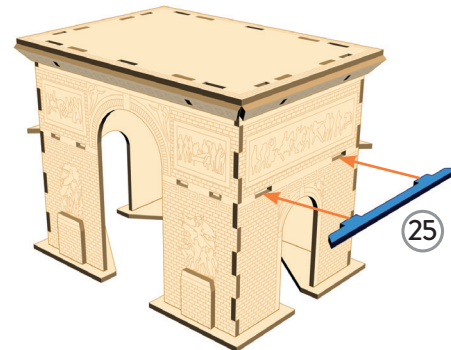
18



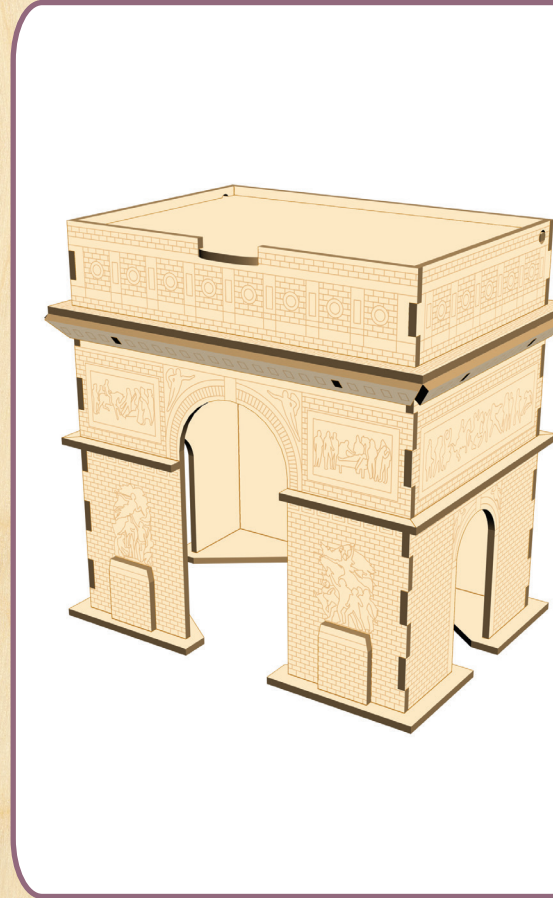
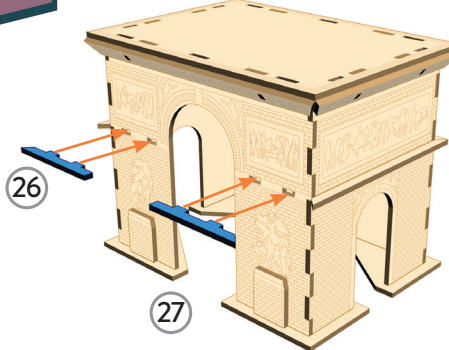
19



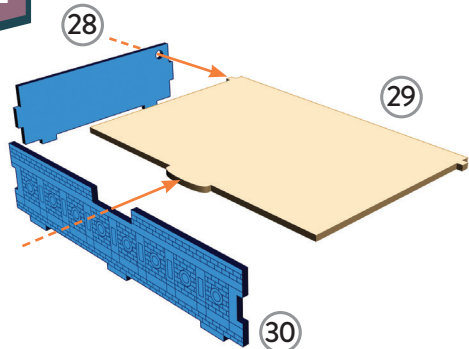
20



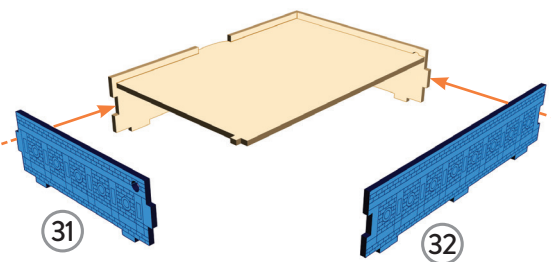
21



22



23



24

